

[21/June/2019 Updated New PassLeader 433q 300-180 Practice Test Guarantee 100 Percent Exam Pass

New Updated 300-180 Exam Questions from PassLeader 300-180 PDF dumps! Welcome to download the newest PassLeader 300-180 VCE dumps: <https://www.passleader.com/300-180.html> (433 Q&As) Keywords: 300-180 exam dumps, 300-180 exam questions, 300-180 VCE dumps, 300-180 PDF dumps, 300-180 practice tests, 300-180 study guide, 300-180 braindumps, Troubleshooting Cisco Data Center Infrastructure (DCIT) Exam P.S. New 300-180 DCIT dumps PDF:

https://drive.google.com/open?id=0B-ob6L_QjGLpNWtfazZEX1o5eWc >> New 300-160 DCID dumps PDF:

https://drive.google.com/open?id=0B-ob6L_QjGLpeVhtaU1qdFl4WGs >> New 300-170 DCVAI dumps PDF:

https://drive.google.com/open?id=0B-ob6L_QjGLpNVNCbDRrNUN3NWM >> New 300-165 DCII dumps PDF:

https://drive.google.com/open?id=0B-ob6L_QjGLpMVRmUUJZRWU3cU0 >> New 300-175 DCIT dumps PDF:

https://drive.google.com/open?id=0B-ob6L_QjGLpcTYwUlg5R2o2Tlk NEW QUESTION 417 You are troubleshooting a port configuration. Interface e1/1 is configured by using port profiles. Which command do you run to view the actual command that were applied to interface e1/1? A. Show port-profile virtual usage B. Show run interface eth1/1 expand-port-profile C. Shows port-profile sync-status D. Show run interface eth1/1 Answer: C NEW QUESTION 418 Which two effects of enabling the persistent FC ID feature are true? (Choose two.) A. N Ports receive the same FC IDs when they disconnect from and reconnect to any port on the same switch. B. The tcdomain automatically adds entries to the FC ID database when a device connects to a port. C. The volatile cache stores up to 4,000 entries containing the WWN to FC ID binding. New entries overwrite the oldest entries in the cache if the cache is full. D. The contents of the volatile cache are discarded when a server reboots. E. The FC IDs used in the fcdomain are saved after you reboot the switch. Answer: AC NEW QUESTION 419 Refer to the exhibit. Which feature is enabled on FC-SW1?

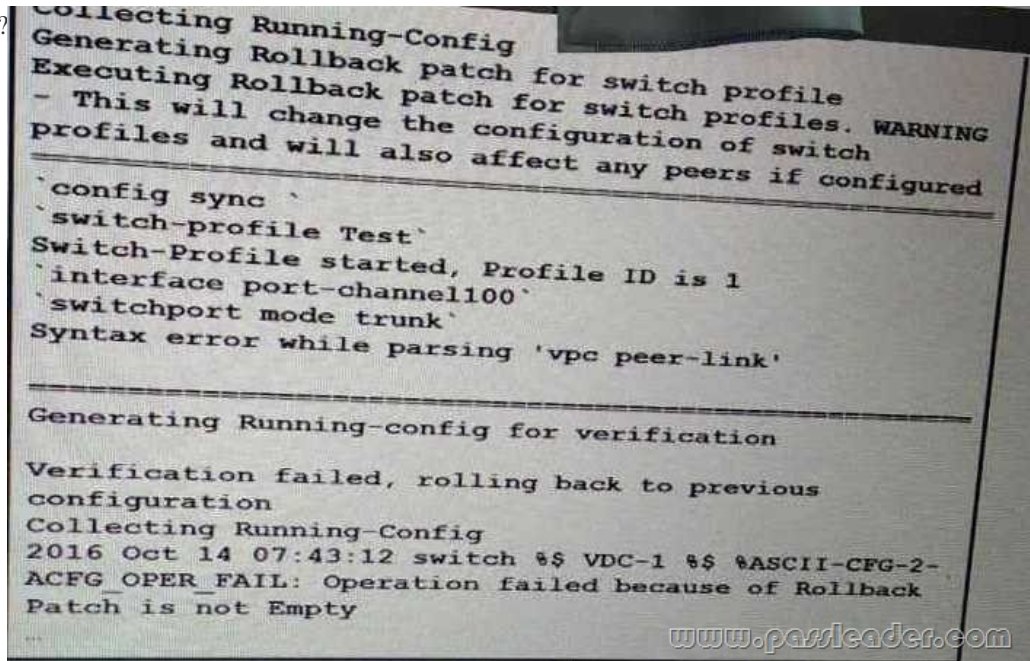
```
FC-SW1# show fcns database
VSAN 301:
-----
FCID      TYPE  PWWN                                (VENDOR)  FC4-TYPE:
          TYPE                                FEATURE
-----
0x7ef060  N     25:de:00:2a:6a:11:ef:bf (Cisco)   npv
0x7ef080  N     26:e1:00:2a:6a:11:ef:bf (Cisco)   npv
0x7ef0a0  N     29:e8:00:2a:6a:11:ef:bf (Cisco)   npv
0x7ef0c0  N     29:8e:00:2a:6a:11:ef:bf (Cisco)   npv
0x7e06df  N     50:0e:01:60:08:65:6d:42 (Clariion) scsi-fcp:both
          [STORAGE-ARRAY1-PORT1]
0x7e01ef  N     50:e6:01:69:08:65:6d:42 (Clariion) scsi-fcp:both
          [STORAGE-ARRAY1-PORT2]
0x7e02ef  N     50:0e:01:64:08:62:6d:42 (Clariion) scsi-fcp:both
          [STORAGE-ARRAY2-PORT1]
0x7e03ef  N     50:0e:01:6d:08:62:6d:42 (Clariion) scsi-fcp:both
          [STORAGE-ARRAY2-PORT2]
```

A. NPIV B. NPVC C. FCIP D. iSCSI Answer: B NEW QUESTION 420 Refer to the exhibit. The firmware fails while using AutoInstall. What cloud cause this issue?

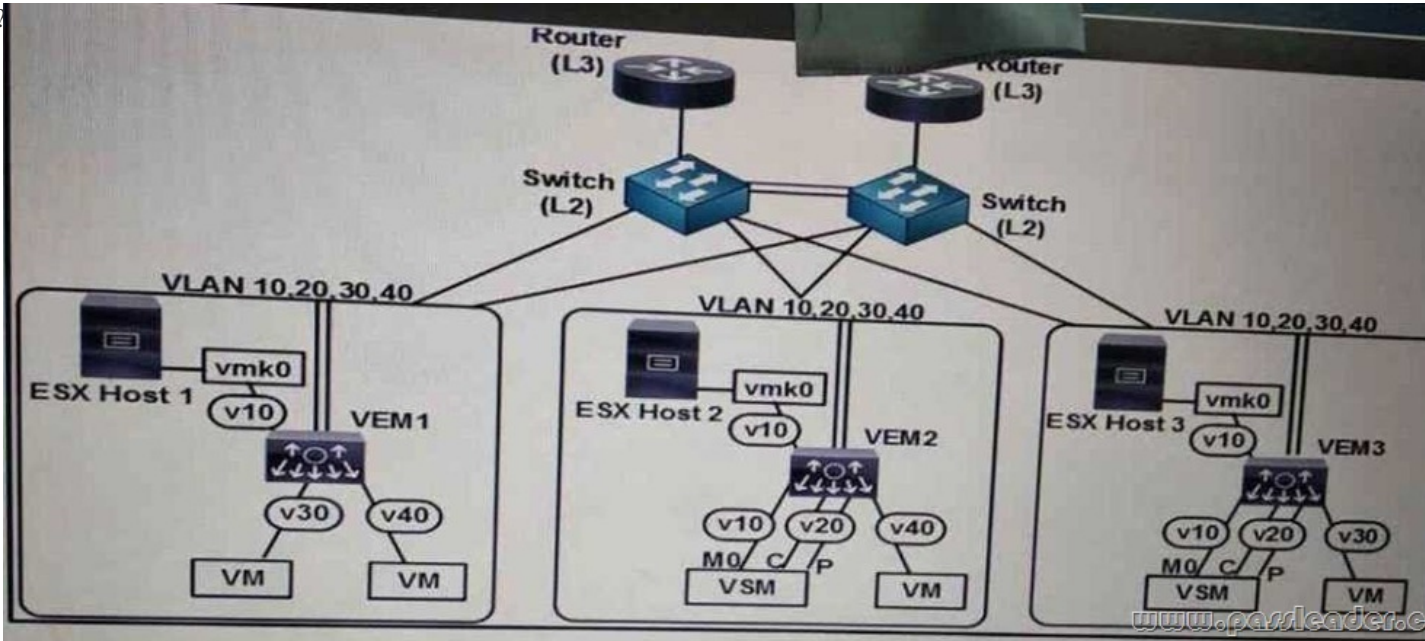
```
UCS-A# scope fabric-interconnect a
UCS-A /fabric-interconnect # show storage
Storage on local flash drive of fabric interconnect:
  Partition          Size (MBytes)  Used Percentage
-----
  bootflash          12658          85
  opt                 1812           2
  workspace           327            4
```

A. A maximum of two active partitions is permitted when using AutoInstall. B. The bootflash partition exceeded 70 percent of the capacity of the flash drive. C. The license for the Advance Services package must be installed. D. The workspace partition must be at least 10 percent of the flash drive. Answer: B NEW QUESTION 421 Refer to the exhibit. Why did the configuration

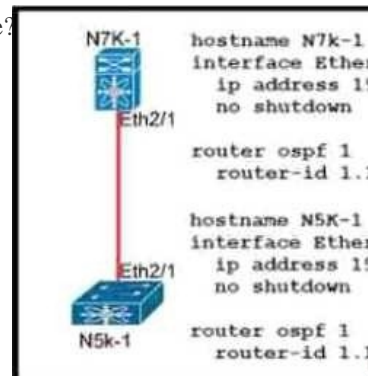
synchronization rollback fail?



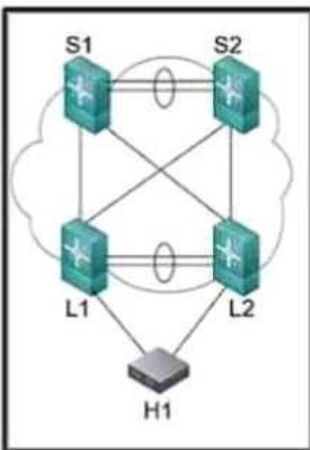
A. The switch profile is incorrect. B. The checkpoint test does not exist. C. The rollback patch is not empty. D. The vPC is not configured
 Answer: C
 NEW QUESTION 422 Refer to the exhibit. The VEMs fail to join a Cisco Nexus 1000V Series Switch. You determine that a system VLAN must be set on a system-uplink port profile. Which VLAN do you configure as a system VLAN?



A. 40 B. 10 C. 20 D. 30
 Answer: B
 NEW QUESTION 423 You have a vPC that is in a blocking state. Which issue can cause this problem?
 A. You have a MAC address filter applied. B. You have Bridge Assurance enabled on the vPC. C. VLANs are missing from the peer link. D. You have a Type 1 Configuration Element Mismatch.
 Answer: B
 NEW QUESTION 424 Refer to the exhibit. No OSPF neighborhood exists between N5K-1 and N7K-1. Which configuration resolves this issue?



A. (config)# router ospf 1(config-router)# network 192.168.103.152 255.255.255.252 area 0B. (config)# ip router ospf 1 area 0
C. (config)# router ospf 1(config-router)# network 192.168.103.152 0.0.0.3 area 0D. (config-rf)# ip router ospf 1 area 0 Answer:
A NEW QUESTION 425Which connectivity topology is valid for Cisco UCS B-Series Servers? A. a standalone Cisco UCS
Fabric Interconnect that has a dual uplink from the IOM to the Fabric InterconnectB. dual Cisco UCS Fabric Interconnects without
L1-L1 and L2-L2 connectionsC. dual Cisco UCS Fabric Interconnects without L2-L2 connectionsD. IOM bypass Answer: A
NEW QUESTION 426You are troubleshooting LACP issues on a Cisco Nexus platform. Which two LACP modes can you view by
using the show lacp interface command? (Choose two.) A. passiveB. activeC. standbyD. auto-negotiateE. on Answer: AB
NEW QUESTION 427You are configuring a Cisco Nexus 9000 Series Switch. Which configuration can be implemented for
VXLAN BGP EVPN? A. VXLAN BGP EVPN by using an NVE interface in a default VRF.B. ACLs on the Layer 3 uplinks
for the VXLAN traffic.C. QoS classification for the VXLAN traffic on all of the interfaces.D. DHCP snooping on the VXLAN
VLANs. Answer: B NEW QUESTION 428Refer to the exhibit. You are troubleshooting a vPC+ configuration issue. Which reason
could cause the issue?



```
L1-Configuration:
vpc domain 500
peer-keepalive destination 10.0.8.212
fabricpath switch-id 100

interface port-channel1
switchport mode fabricpath
spanning-tree port type network
speed 10000
vpc peer-link

L2-Configuration:
vpc domain 500
peer-keepalive destination 10.0.8.211
fabricpath switch-id 101

interface port-channel1
switchport mode fabricpath
spanning-tree port type network
speed 10000
vpc peer-link
```

www.passleader.com

A. The peer-keepalive destination must match on each leaf switch.B. The FabricPath switch ID between the leaf switches must
be the same.C. The spanning tree is not used in Cisco FabricPath, so the command on port channel 1 must be removed.D. The
spanning tree port type on port channel 1 must be set to trunk. Answer: A NEW QUESTION 429Refer to the exhibit. Cisco UCS
Manager reports that the number of disks assigned to a server exceeds the number of available disk slots. What could cause this
issue?


```
RAID Controller 1:  
Local Disk 1:  
Product Name: 73GB 6Gb SAS 15K RPM SFF HDD/hot plug/drive  
sled mounted  
PID: A03-D073GC2  
Serial: D3B0P99001R9  
Presence: Equipped  
Local Disk 2:  
Product Name:  
Presence: Equipped  
Size (MB): Unknown  
Local Disk 5:  
Product Name: 73GB 6Gb SAS 15K RPM SFF HDD/hot plug/drive  
sled mounted  
Serial: D3B0P99001R9  
HW Rev: 0  
Size (MB): 70136  
www.passleader.com
```

A. The fault detection tests on the disk drive failed. B. Communication between the fabric interconnects failed. C. Communication between Cisco UCS Manager and the server failed. D. The Cisco UCS B-Series Blade Server is connected incorrectly to the fabric interconnects. Answer: A
NEW QUESTION 430 You configure two external Layer 3 networks on the same node by using BGP. The network fails to establish BGP adjacencies. Which action do you take to resolve the issue? A. Explicitly define the loopback addresses on the node. B. Use OSPF to create a peer that uses external networks. C. Configure the router ID to use the interface IP address used to establish the BGP connection. D. Configure the router ID to use the loopback interface.

Answer: A
Explanation:

https://www.cisco.com/c/en/us/td/docs/switches/datacenter/aci/apic/sw/1-x/basic-config/b_ACI_Config_Guide/b_ACI_Config_Guide_chapter_0110.pdf NEW QUESTION 431.....

Download the newest PassLeader 300-180 dumps from passleader.com now! 100% Pass Guarantee! 300-180 PDF dumps & 300-180 VCE dumps: <https://www.passleader.com/300-180.html> (433 Q&As) (New Questions Are 100% Available and Wrong Answers Have Been Corrected! Free VCE simulator!) P.S. New 300-180 DCIT dumps

PDF: https://drive.google.com/open?id=0B-ob6L_QjGLpNWtfazZEX1o5eWc >> New 300-160 DCID dumps PDF:

https://drive.google.com/open?id=0B-ob6L_QjGLpeVhtaU1qdF14WGs >> New 300-170 DCVAI dumps PDF:

https://drive.google.com/open?id=0B-ob6L_QjGLpNVNcbDRrNUN3NWM >> New 300-165 DCII dumps PDF:

https://drive.google.com/open?id=0B-ob6L_QjGLpMVRmUUJZRWU3cU0 >> New 300-175 DCIT dumps PDF:

https://drive.google.com/open?id=0B-ob6L_QjGLpcTYwUlg5R2o2Tlk